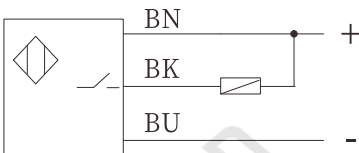
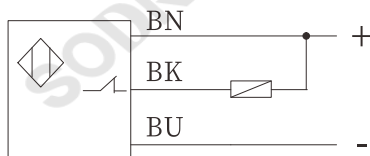
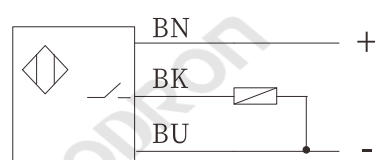
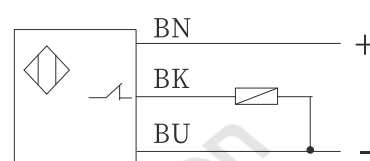
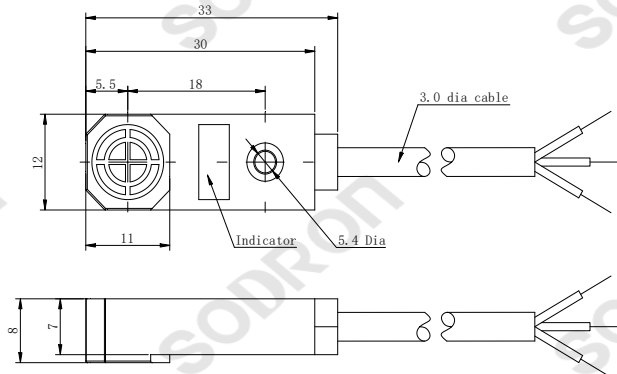


**Model**

SP11F-04B□□

**Product Features**

- Simple structure, easy installation
- IEC IP67
- Potted with vacuum impregnation equipment
- Reverse polarity connection protection, short-circuit protection

**Connection****NPN-NO****NPN-NC****PNP-NO****PNP-NC****Dimension****Technical parameters**

Model	SP11F-04BNA	SP11F-04BPA	SP11F-04BNB	SP11F-04BPB
Output mode	NPN	PNP	NPN	PNP
Output state	NO	NO	NC	NC
Power supply	10~30V DC			
Current consumption	<10mA			
Sensing distance	4mm±10%			
Set distance	0~3.2mm			
Standard target	12X12X1mm (Iron sheet)			
Response frequency	0.5KHz			
Repeat accuracy	< 5% (Sensing distance)			
Temperature effect	-25~70°C, within ±10% of sensing distance at 23°C			
Hysteresis error	1%~15% (Sensing distance)			
Load Current	<100mA			
Residual Voltage	≤1.5V (Load current:100mA , 2m wire)			
Indicator light	Red LED (Output ON)			
Circuit protection	Reverse polarity connection protection, short-circuit protection			
Ambient temperature	Work&Storage: -25°C~ +70°C			
Ambient humidity	Work&Storage: 35~95% (No dew condensation or icing allowed)			
Withstand Voltage	1000 VAC, 50/60 Hz, 1 min			
Insulation resistance	> 20MΩ (DC500V megger) between current-carrying parts and case			
Anti-vibration	10~55Hz, double amplitude 1.5mm, X, Y, Z axes, 2h			
Anti-impact	3 shocks of 500 m/s <sup>2</sup> (approx. 50 G) in X, Y and Z axes			
Protection degree	IEC IP67			
Connection	Cable 2m, Φ3.0 (3-core), Black, 0.1mm <sup>2</sup> , PVC			
Material	Housing PC			